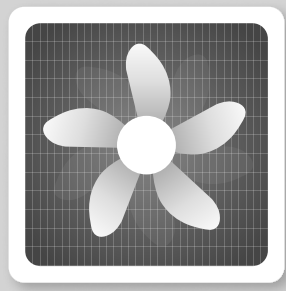


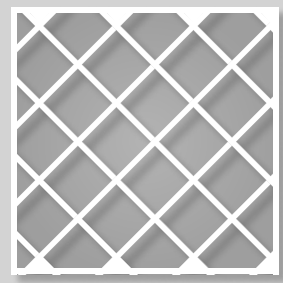
DIY Air Cleaner

1x1 Building Instructions

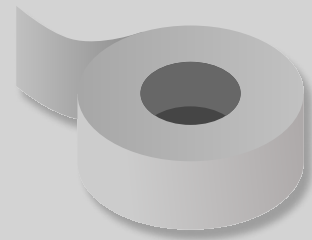
Materials You Will Need



1
20x20" Box Fan
(Min. 75 Watts)



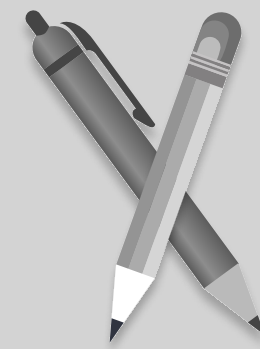
1
20x20" MERV 13 Filter
(MPR 1900)



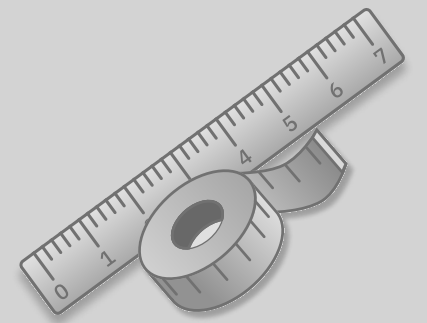
Duct Tape



Scissors Or
Box Cutters



Pencil Or Pen

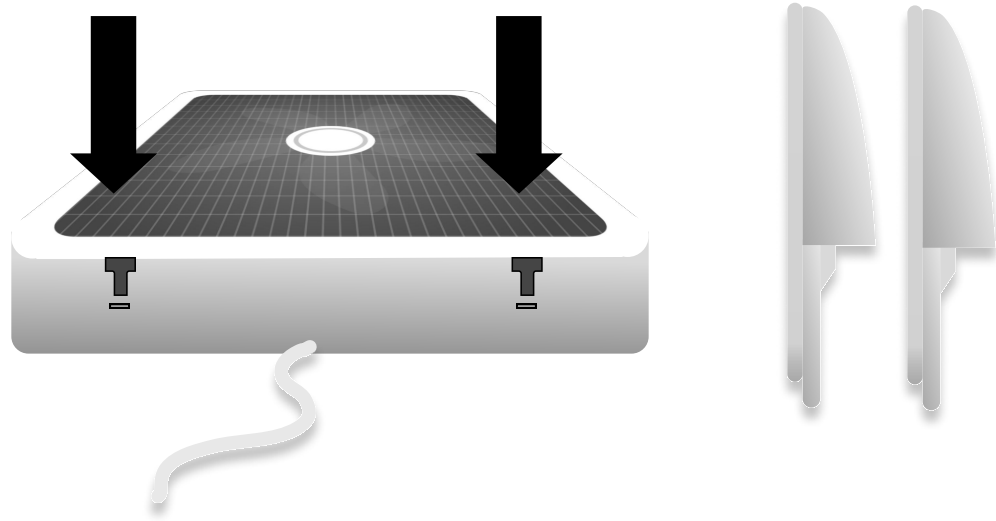


Ruler Or
Measuring Tape

Note: Use a new, clean fan in good condition.

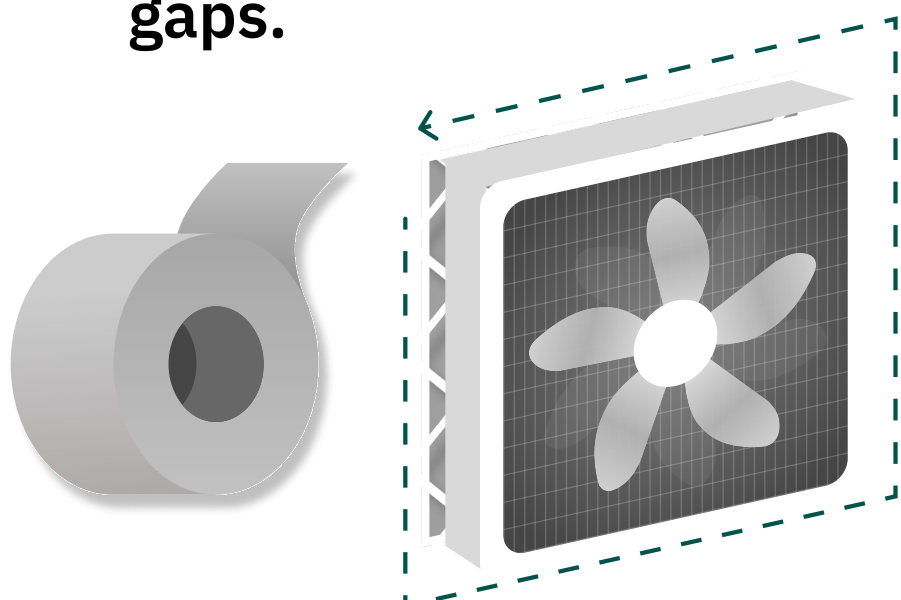
1. Take the fan out of its box.

Find the feet of the fan attached to the handle. Twist apart and forcefully slide into slots found on the bottom of the fan.

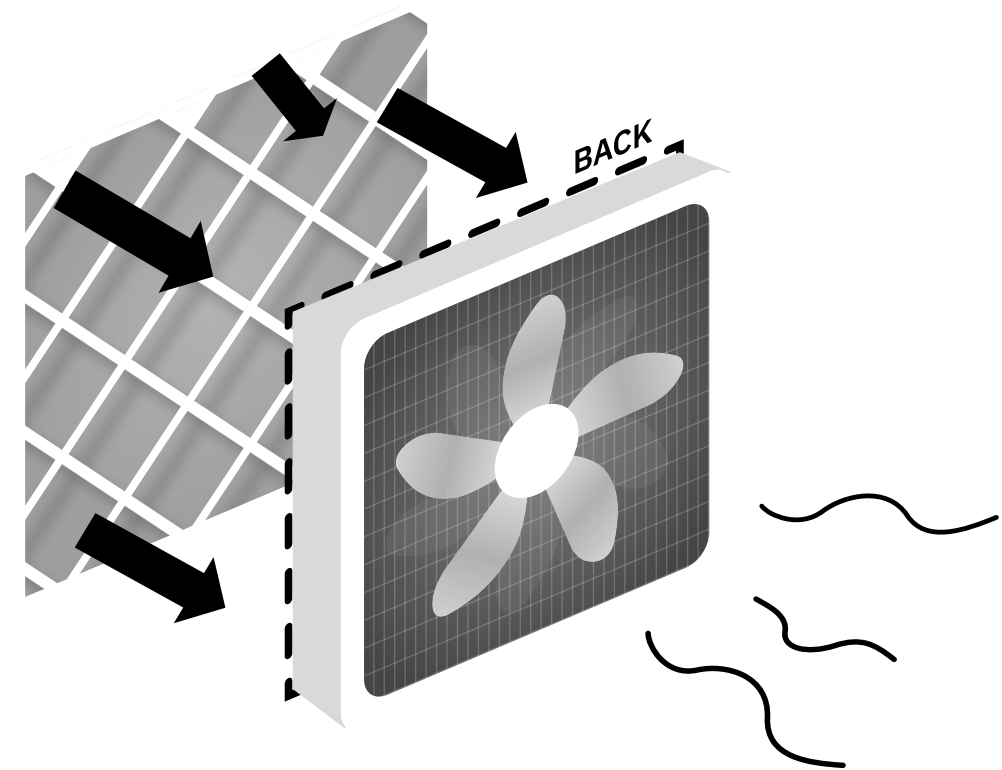


3. Lay the fan face down.

Duct tape the filter directly to the back of the fan. Seal all sides thoroughly to prevent gaps.



2. Find directional arrow on the side of the filter. Place arrow facing the back of the fan.

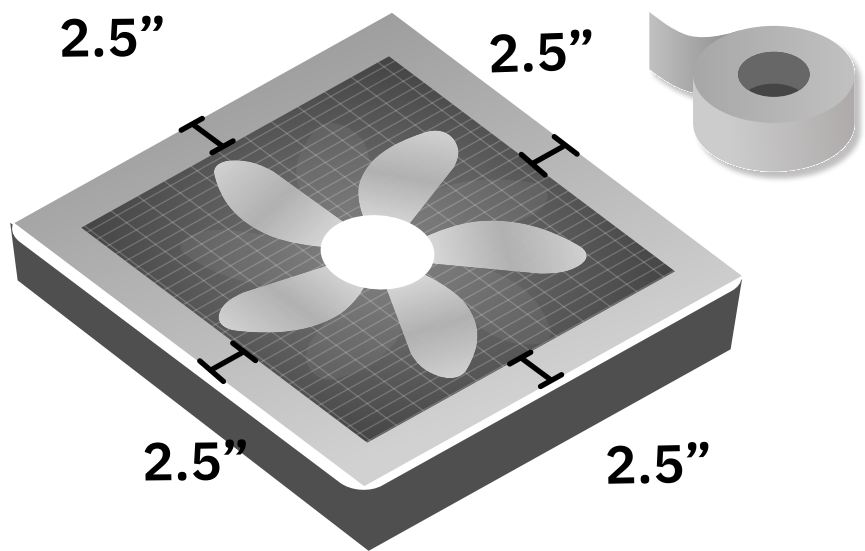


Tip: The front of the fan includes the logo

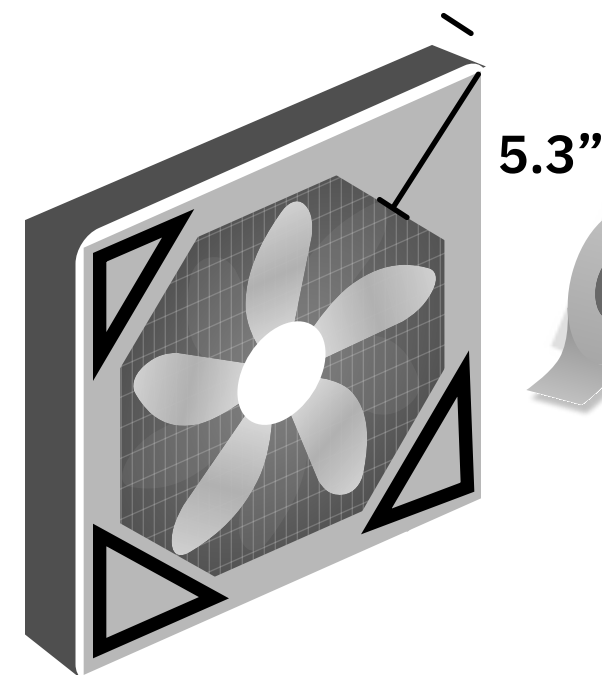
Using Duct Tape To Make The Shroud

4. Lay the fan face up on your desk.

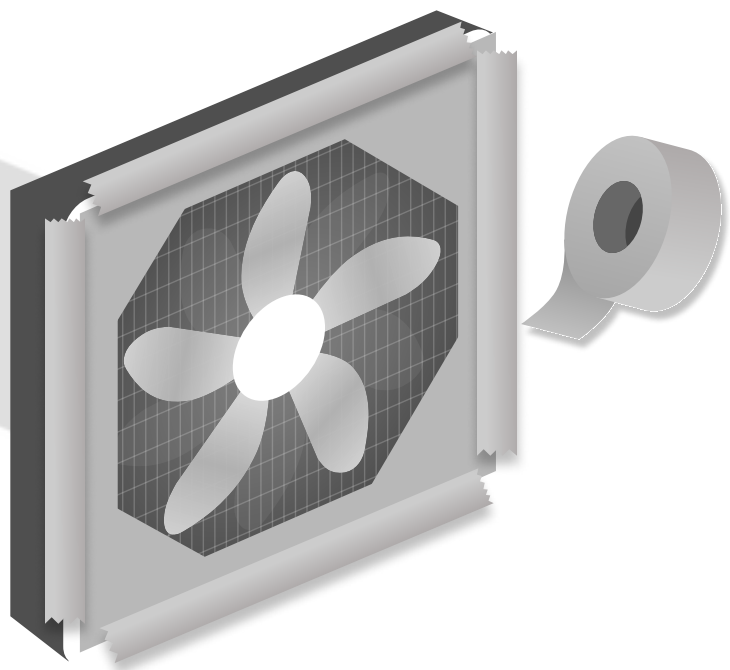
Tape around the front of the fan, creating a border. Measure 2.5" from the outer edge of the unit. Multiple strips will be needed.



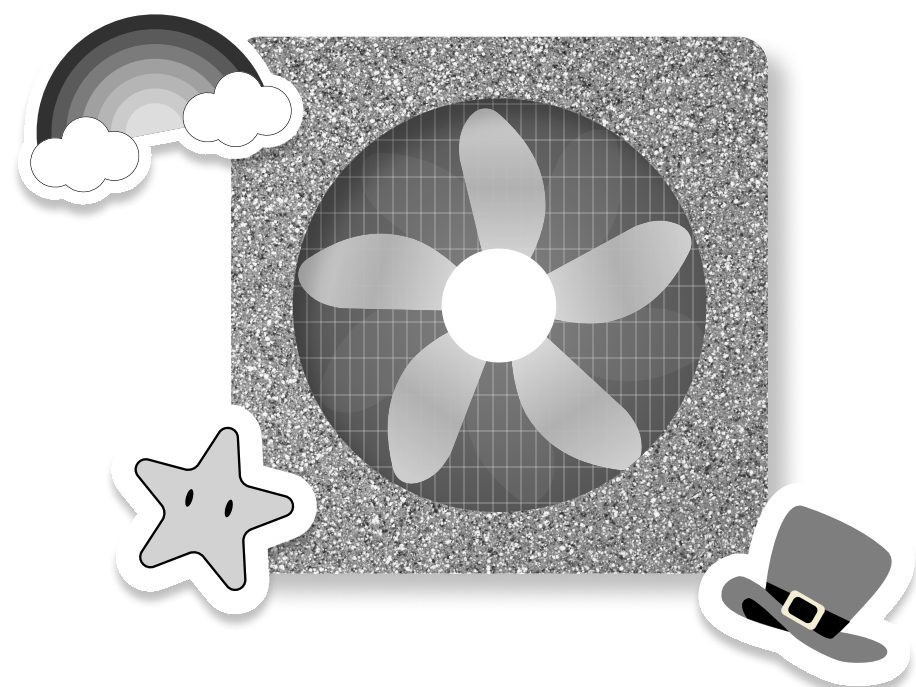
5. Tape the corners of the front of the fan. Measure 5.3" from the outer edge.



6. Add more duct tape as needed to close all gaps around the edges and corners.



7. Personalize your air cleaner with stickers and decorative tape to make it uniquely yours.



What Is A Shroud?

The shroud stops air from being recaptured into the fan from the corners, which would reduce its effectiveness.