

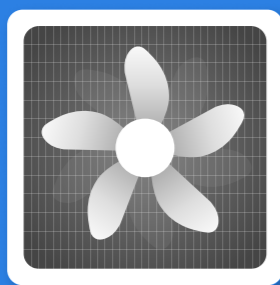
# DIY Air Cleaner

## 1x1 Building Instructions

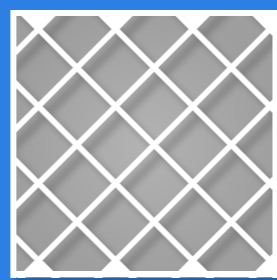


Scan for video instructions

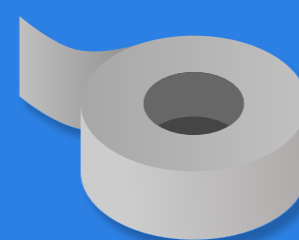
### Materials You Will Need



20x20" Box Fan (Min. 75 Watts)



20x20" MERV 13 Filter (MPR 1900)



Duct Tape

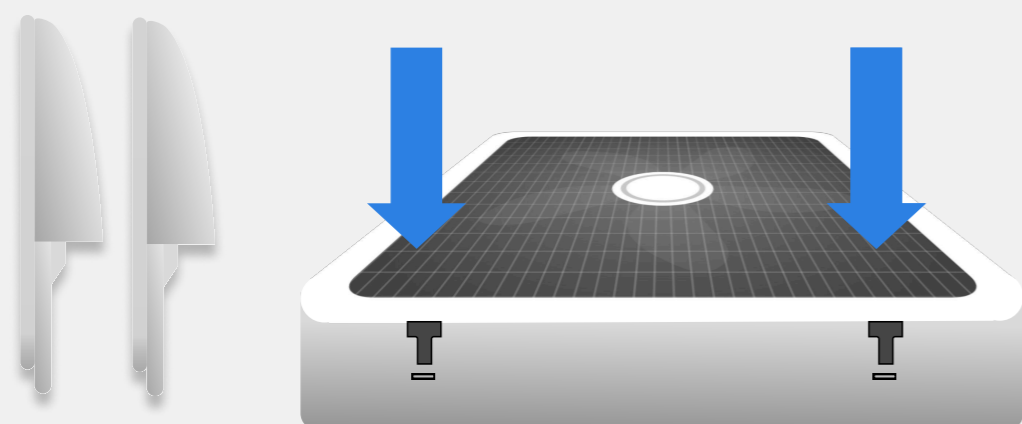


Scissors Or Box Cutters

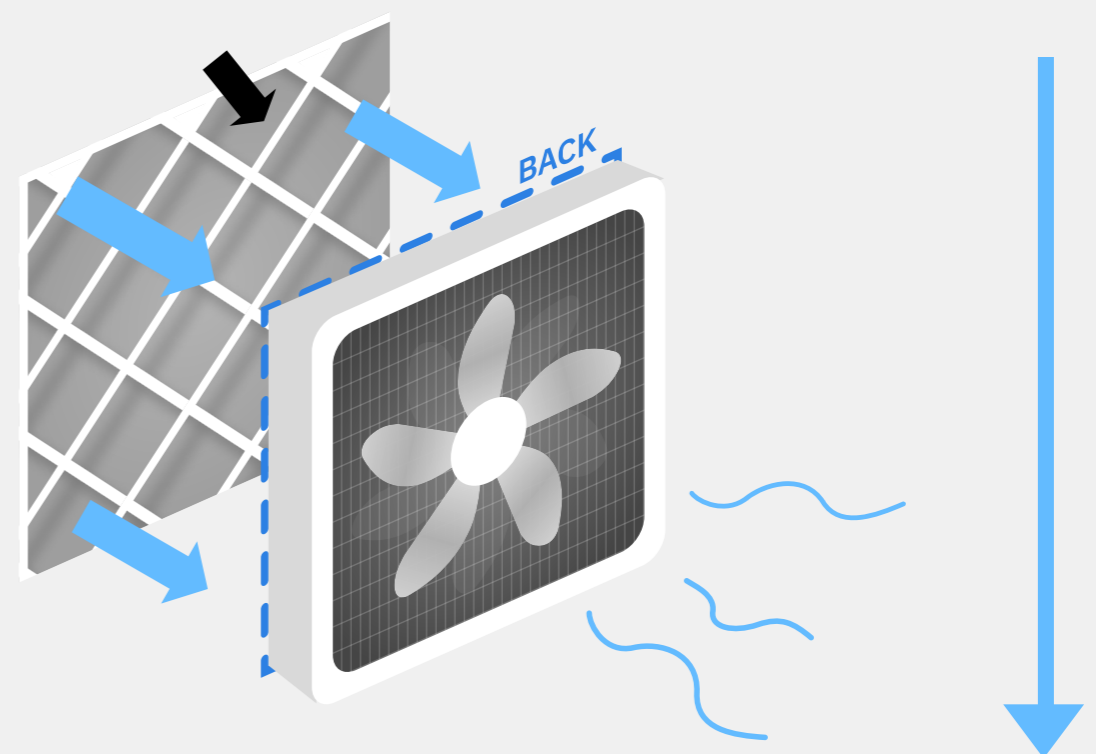
*Note: Use a new, clean fan in good condition.*

**1.** Take the fan out of its box. Lay the fan face down. The front of the fan includes the logo.

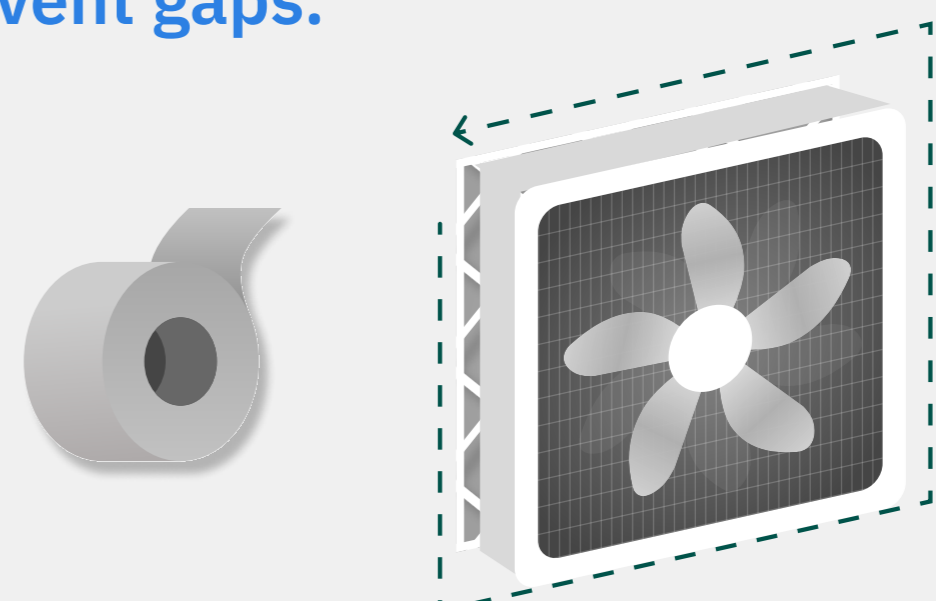
Find the feet of the fan attached to the handle. Twist apart and forcefully slide into slots found on the bottom of the fan.



**2.** Find the directional arrow on the side of the filter. Place the filter down with the arrow pointing towards the fan.



**3.** Duct tape the filter directly to the back of the fan. Seal all sides thoroughly to prevent gaps.



### Have Questions?

Email: [air-cleaners@sfu.ca](mailto:air-cleaners@sfu.ca)

Website: [bclung.ca/diyaircleaners](http://bclung.ca/diyaircleaners)

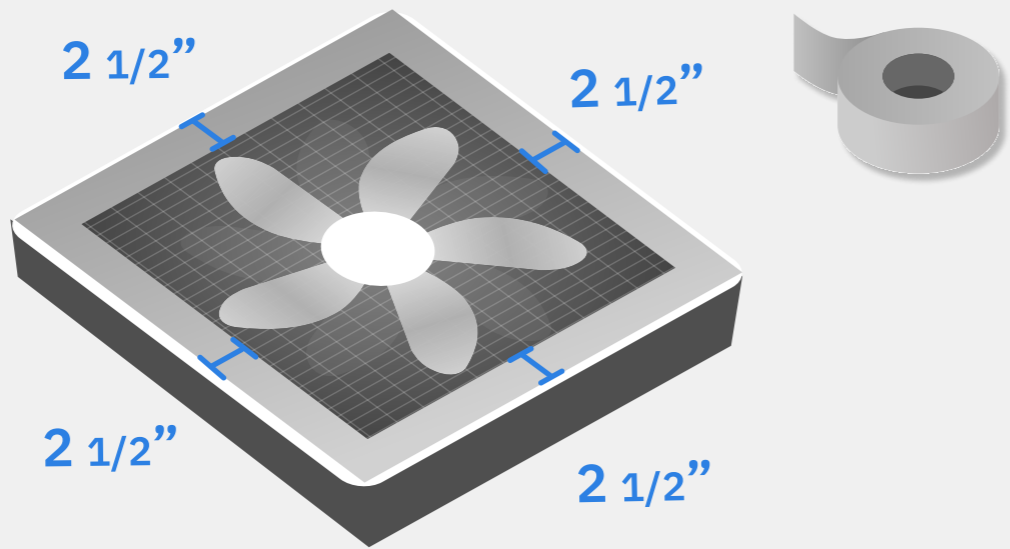
Follow us: @sfu\_breathe on Instagram & Facebook

# Use Duct Tape To Make A Shroud



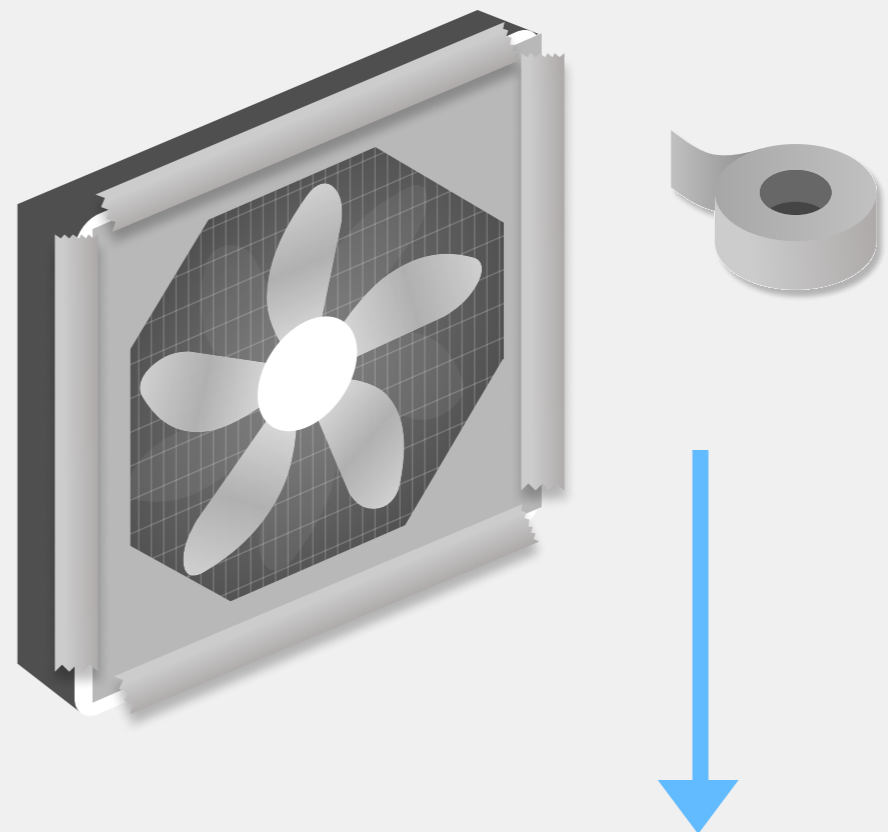
4. Lay the fan face up.

Tape around the front of the fan, creating a border. Measure 2 1/2 inches from the outer edge of the unit on each side. Multiple strips of tape will be needed.

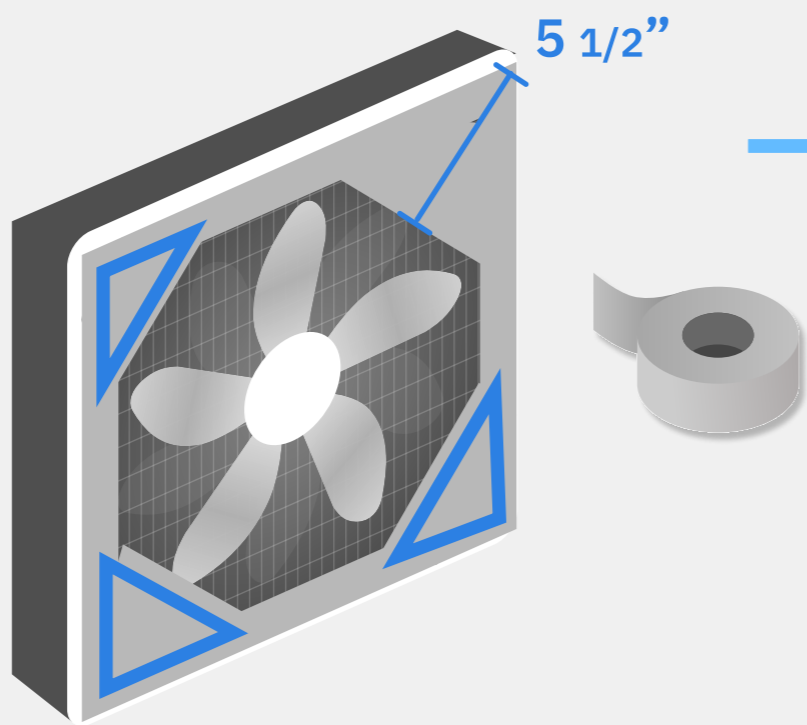


**What Is A Shroud?**  
The shroud stops air from being recaptured into the fan from the corners, which would reduce its effectiveness.

6. Add more duct tape as needed to close all gaps around the edges and corners.



5. Tape the corners of the front of the fan. Measure 5 1/2 inches from the outer edge.



7. Personalize your air cleaner with stickers and decorative tape to make it uniquely yours.

